

# Automated loading systems for processing centers



**Optimat** | **profi line** | **power line**



# Feed systems from HOMAG – the simple way to the production cell

Now is the time to profit from a technological leading edge over your competitors: with an amazingly compact and economical HOMAG innovation. Because for the very first time, a fully integrated loading system has been designed with the new loader models TBA 330 and TBP 370 which provides the perfect symbiosis between sophisticated engineering, operating convenience, reliability and productivity.

## Benefit from

- Outstanding performance coupled with a minimal space requirement
- Maximum flexibility – the patented systems offer individual retrofit capability
- Operating personnel reduction and labour savings
- Continued optimum accessibility for manual loading (e.g. with non-standard components)
- Increased machine running time (machine continues producing also during operator breaks)



**1 Handling reliability**  
Intelligent selection of optional extra equipment ensures high degree of process reliability.

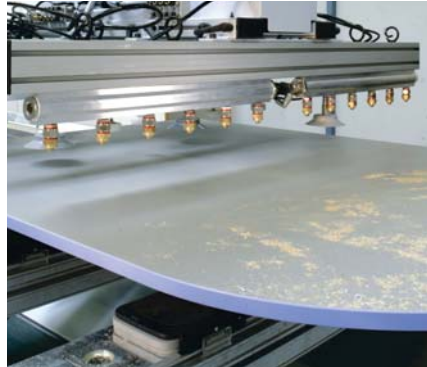
- The optional drop sensor detects additionally adhering panels





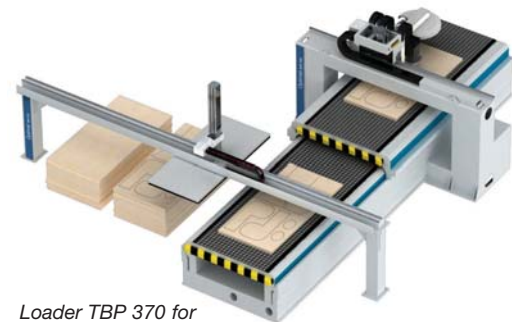
**2 Workpiece positioning**  
The patented stop kinematics ensure precise positioning of workpieces at the material stops.

- The gripper system is also available in a patented synchronous processing version permitting double the output (see diagram bottom right).



**3 Cleaning function**  
The workpieces are reliably cleaned of chips by

- a cleaning pass performed by the suction beam with a series of compressed air nozzles or
- air jet cleaning function using the processing unit



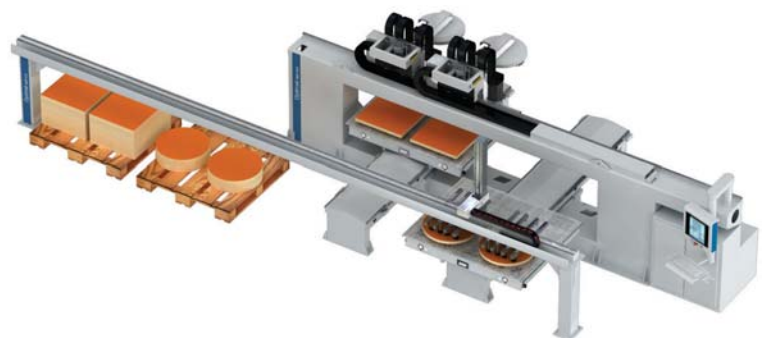
*Loader TBP 370 for traversing gantries in the BOF 500 series*

**4 Clamping technology**  
A wide variety of clamping devices for different workpieces guarantees reliable workpiece handling.

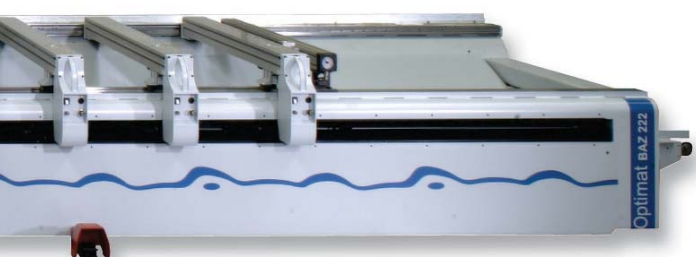
- Standard suction elements with round silicone suction cups
- Surface area suction elements with foam gripping surface for high-tolerance clamping of widely differing workpiece surfaces

### Flexibility

A state-of-the-art user interface allows the formation of wide-ranging different stacking patterns. Unlike conventional systems, the load system is fully integrated in the machine operation. These patented automated loading systems can also be retrofitted, opening up permanent scope for future automation.

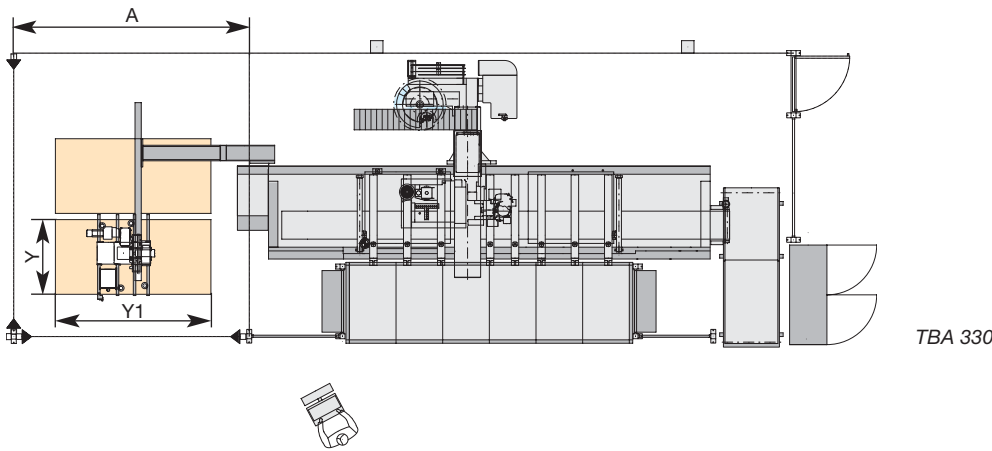
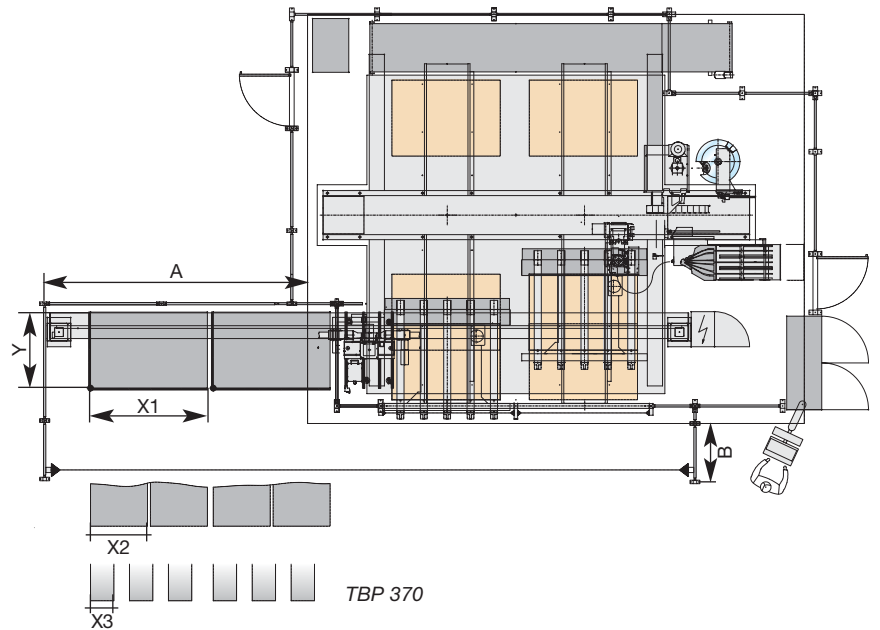


*Loader TBP 370 in a synchronous version for line gantries in the B 600 and B 700 series*



*Loader TBA 330 for extension arm machines*

# Specifications



Certain details of the specifications and photos may differ from those stated.  
We reserve the right to make changes in the interests of further development.

		TBA 330		TPB 370/20/16		TPB 370/26/16	
<b>Working measurements</b>							
Part width min.	Y [mm]	400	(15,7")	400	(15,7")	400	(15,7")
Part width max.	Y [mm]	1600	(63,0")	1600	(63,0")	1600	(63,0")
Part length min.	X1 [mm]	400	(15,7")	400	(15,7")	400	(15,7")
Part length max.	X1 [mm]	2500	(98,4")	2000	(78,7")	2600	(102,4")
Part length max.	X2 [mm]	0	(0,0")	1000	(39,4")	1200	(47,2")
Part length max.	X3 [mm]	0	(0,0")	400	(15,7")	775	(30,5")
Part thickness min.	[mm]	16	(0,6")	16	(0,6")	16	(0,6")
Part thickness max.	[mm]	36	(1,4")	36	(1,4")	36	(1,4")
Part weight min.	[kg]	100	(220,5")	60	(132,3")	60	(132,3")
<b>Set-up dimension increase</b>							
Set-up dimensions X direction max.	A [mm]	4500	(177,2")	4500	(177,2")	7250	(285,4")
Set-up dimensions Y direction max.	B [mm]	0	(0,0")	1250	(49,2")	1250	(49,2")
Set-up dimensions Z direction max.	C [mm]	3800	(149,6")	3800	(149,6")	3800	(149,6")

A member of the HOMAG Group



**HOMAG Holzbearbeitungssysteme AG**

Homagstraße 3-5  
72296 SCHOPFLOCH  
DEUTSCHLAND

Tel.: +49 7443 13-0  
Fax: +49 7443 132300  
E-Mail: info@homag.de  
Internet: www.homag.de